



M Series Standard Multimode Couplers

MaJoR Fiber Optics Multimode Couplers provide a variety of configurations, fiber types and connectors as well as performance over a wide multimode spectrum.

Applications

- LAN, WAN & Metro Networks
- Telecommunication Networks
- Passive Optical Networks
- Test & Measurement Systems
- CATV
- Labs

MaJoR Fiber Optics
Inc.

1565 Old Forge Road
Bartlett, IL 60103

Phone: 630/483-2054

Fax: 630/483-2072

E-Mail:

info@majorfiberoptics.com

Web: www.majorfiberoptics.com

- Multimode Couplers/Splitters in a variety of package types and configurations
- Optical performance 100% factory tested
- ST, FC, SC and SMA connectors available.
- Low Excess Loss
- High temperature performance
- Operating Windows at 850nm or 1300nm and 850/1300nm
- Maximum Excess Loss (dB)
 - 0.70 Grade A
 - 1.00 Grade B
- Uniformity (dB 50/50)
 - 0.70 Grade A
 - 1.00 Grade B
- Thermal Stability (dB Peak to Peak)
 - < 0.20 Grade A
 - < 0.25 Grade B
- Port Configuration
 - 1x2 and 2x2
- Coupling Ratio
 - 1/99 to 50/50%
- Operating Temperature (°C)
 - 40—+85 (-20—+70 for PVC cable)
- Storage Temperature (°C)
 - 55—+85

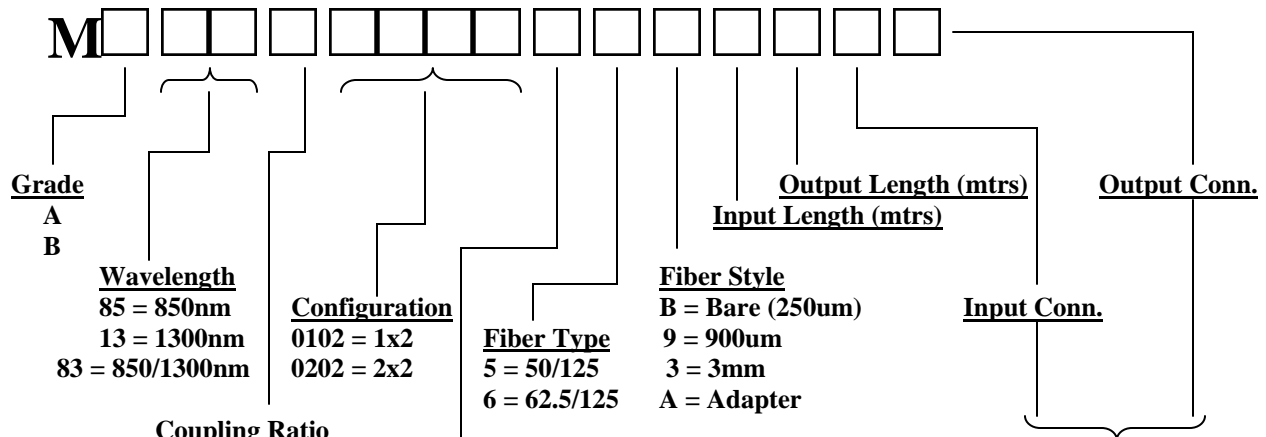
Insertion Loss Specifications (dB)

Coupling Ratio %	Grade A	Grade B
50/50	3.9	4.3
60/40	3.0/4.9	3.5/5.4
70/30	2.3/6.2	2.7/6.7
80/20	1.8/8.0	2.1/8.7
90/10	1.3/11.3	1.6/12.2
95/5	0.9/14.9	1.3/16.2
99/1	0.7/22.1	1.0/22.7



M Series Standard Multimode Couplers

PART NUMBER ORDERING INFORMATION



Coupling Ratio

- A = 1%
- B = 5%
- C = 10%
- D = 15%
- E = 20%
- F = 25%
- G = 30%
- H = 35%
- I = 40%
- J = 45%
- K = 50%

Package Style

Code	Size/Type
A	Tube 3.0x54mm (250um/bare fiber & 900um)
B	Tube 3.0x35mm (250um/bare fiber)
C	Tube 3.0x70mm (250um/bare fiber & 900um)
E	Box 90x14x8.5mm (250um, 900um, 2mm, 3mm)
F	Box 100x80x10mm (250um, 900um, 3mm)
L	LGX Compatible (900um, 3mm, adapters)

Type	Code
SC	Z
FC	E
ST	G
SMA 906	A
SMA 905	N
No Conn.	0 (zero)

Note: Length in 1 meter increments

Example: Grade B, 850nm, 10% 2x2, B Package, 62.5/125um fiber type, 250um fiber style, no connectors input and outputs, 1 meter lead length input and outputs = MB85C0202B6B1100