



# P Series Polarization Maintaining Cable Assemblies

*MaJoR Fiber Optics offers Polarization Maintaining (PM) Cable Assemblies utilize Alcoa Fujikura's PANDA® fiber that has slow and fast axes with substantially different propagation constants. The cable assemblies have a high Extinction Ratio and low Insertion Loss.*

#### Applications

- High bit rate telecomm.
- Interferometry
- Test & Measurement Systems
- Optical Amplifiers

**MaJoR Fiber Optics,  
Inc.**

1549 Old Barn Rd.  
Bartlett, IL 60103

Phone: 630/483-2054

Fax: 630/483-2072

E-Mail:

[info@majorfiberoptics.com](mailto:info@majorfiberoptics.com)

Web: [www.majorfiberoptics.com](http://www.majorfiberoptics.com)

- Optical performance 100% factory tested
- UPC and APC polish styles available
- FC and SC connector types
- High Extinction Ration
- Low Insertion Loss
- Low Back Reflection
- Custom Polarization Orientation
- Meets Telcordia GR-CORE 326 and 910
- High temperature performance

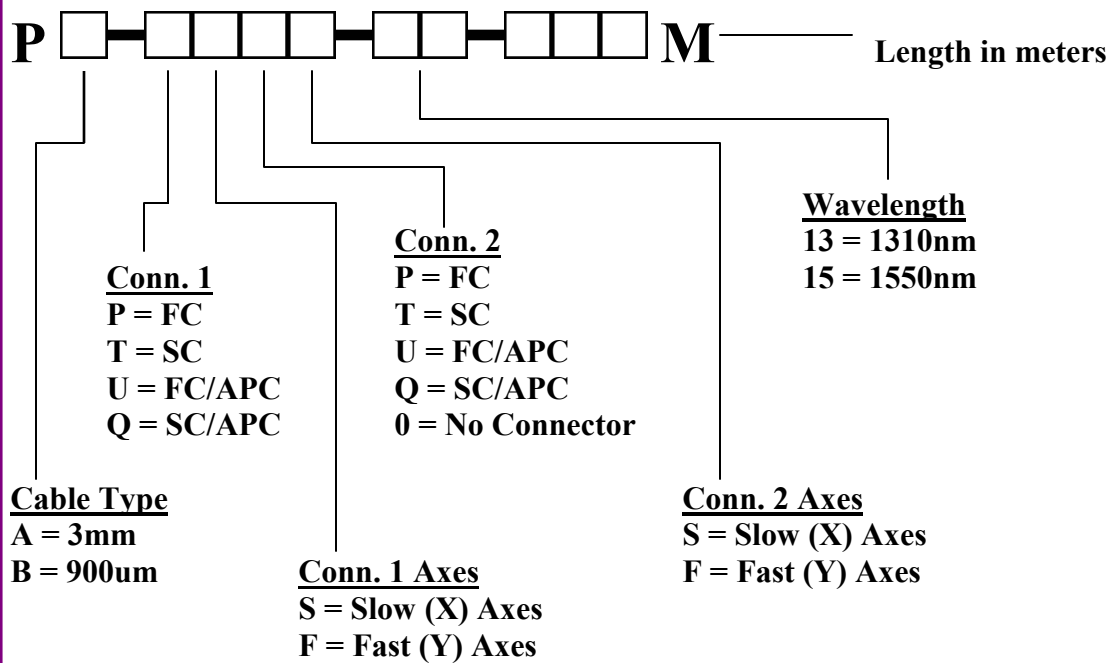
#### Specifications

Polish Type	UPC	APC
Extinction Ration (dB)	≥25	≥25
Insertion Loss (dB)	≤0.50	≤0.50
Back Reflection (dB)	≤-50	≤-60
Operating Temperature 3mm Cable (°C)	-20 to +70	-20 to +70
Operating Temperature 900um Cable (°C)	+5 to +45	+5 to +45
Storage Temperature (°C)	-40 to +70	-40 to +70



# P Series Polarization Maintaining Cable Assemblies

## PART NUMBER ORDERING INFORMATION



**Example:**

**PB-USQS-15-003M**

**900um FC/APC connector one, Slow axes connector one, SC/APC connector two, Slow axes connector two, 1550nm, 3 meter length**

Contact MaJoR Fiber Optics for custom Polarization Maintaining Cable Assemblies