



# PC Series Singlemode PLC Splitters

*MaJoR Fiber Optics PLC Splitters provide a cost effective and space saving product suitable to the ever changing networking requirements. With it's compact size, these splitters can be utilized in in-ground and aerial pedestals as well as rack mount systems. Installation is simple using a variety of connector types or fusion splicing.*

#### Applications

- LAN, WAN & Metro Networks
- Telecommunication Networks
- Passive Optical Networks
- FTT(X) Systems
- CATV
- Value Added Modules

**MaJoR Fiber Optics, Inc.**

1549 Old Barn Rd.  
Bartlett, IL 60103

Phone: 630/483-2054

Fax: 630/483-2072

E-Mail:

info@majorfiberoptics.com

Web: www.majorfiberoptics.com

- Singlemode PLC Splitters in a variety of package types and configurations
- Optical performance 100% factory tested
- UPC, and APC polish types available for connectorized products
- Low Insertion Loss, Back Reflection and PDL
- Telcordia GR-CORE 1221 certified

- Operating Window 1260~1600nm
- Polarization Stability (dB)  $\leq 0.50$ dB
- Port Configuration 1x4, 1x8, 1x16, 1x32
- Back Reflection (dB)  $\leq -55$  UPC  
 $\leq -65$  APC
- Operating Temperature (°C) -20~+70
- Storage Temperature (°C) -40~+85
- Package size 8x8.1x5.2mm

#### Insertion Loss Specifications (dB)

Configuration	Insertion Loss (dB)
1x4	7.0
1x8	11.5
1x16	14.5
1x32	17.5

#### Uniformity Specifications (dB)

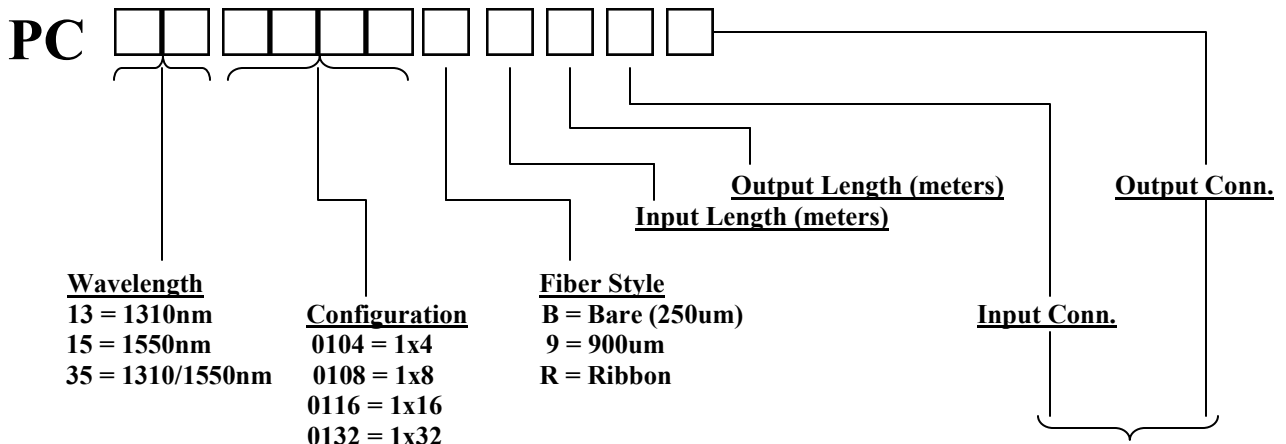
Configuration	Uniformity (dB)
1x4	0.8
1x8	1.0
1x16	1.5
1x32	2.0

Note: Custom split configurations are available, please contact MaJoR for more information.



# PC Series Singlemode PLC Splitters

## PART NUMBER ORDERING INFORMATION



Type	Code
SC	T
SC/APC	Q
SC 90° Boot	C
FC	P
FC/APC	U
LU	L
ST	R
No Conn.	0 (zero)
Custom	X

**Note:** Length in 1 meter increments

**Example:** 1310/1550nm, 1x16, 900um fiber style,  
SC/APC connector input and LC connector outputs, 1 meter lead length input and 2 meter lead length outputs =  
PC350116912QL

Please contact MaJoR Fiber Optics, Inc. for custom PLC Splitters