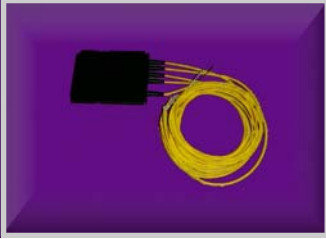




T Series Singlemode Wideband Tree Couplers



MaJoR Fiber Optics Singlemode Wideband Tree Couplers provide an economical solution to enable wavelengths to split to multiple ports while maintaining low Insertion Loss, Back Reflection and PDL which is critical in today's Network and DWDM applications.

Applications

- LAN, WAN & Metro Networks
- Telecommunication Networks
- Passive Optical Networks
- Test & Measurement Systems
- CATV

1565 Old Forge Road
Bartlett, IL 60103

Phone: 630/483-2054

Fax: 630/483-2072

E-Mail:

info@majorfiberoptics.com

Web: www.majorfiberoptics.com

- Singlemode Tree Couplers in a variety of package types and configurations
- Optical performance 100% factory tested
- SPC, UPC, and APC polish types available for connectorized products
- Low Insertion Loss, Back Reflection and PDL
- Manufactured and tested in accordance with Telcordia GR-CORE 1221 and 1209
- High temperature performance
- Operating Windows at 1310nm, 1550nm and 1310/1550nm \pm 10nm for Narrow Window applications and 1310nm, 1550nm and 1310/1550nm \pm 40nm for Wideband applications
- Thermal Stability (dB Peak to Peak) < 0.20 Grade A
< 0.30 Grade B
- Polarization Stability (dB) < 0.10 Grade A
< 0.15 Grade B
- Port Configuration 1x4, 2x4, 1x8, 2x8, 1x16, 2x16, 1x32, 2x32
- Back Reflection (dB) \leq -55
- Operating Temperature ($^{\circ}$ C) -40—+85 (-20—+70 for PVC cable)
- Storage Temperature ($^{\circ}$ C) -55—+85

Insertion Loss Specifications (dB)
(without connectors)

Uniformity Specifications (dB)

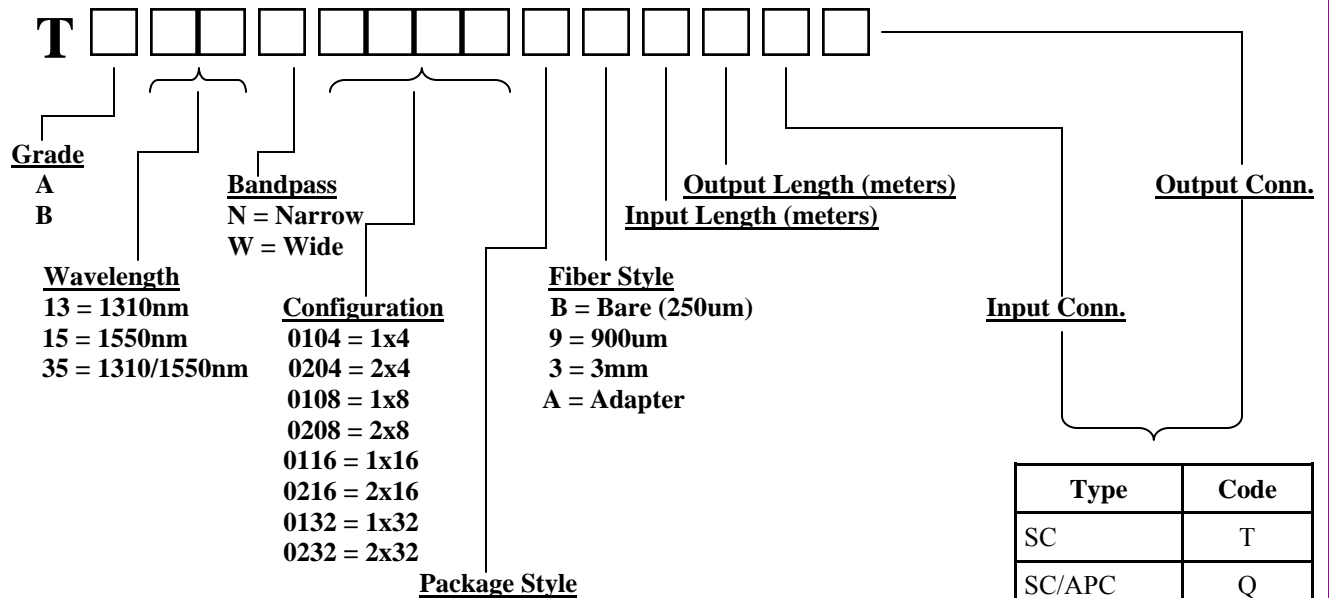
Configuration	Grade A	Grade B	Configuration	Grade A	Grade B
1x4 & 2x4	7.0	7.4	1x4 & 2x4	0.8	1.2
1x8 & 2x8	10.6	11.5	1x8 & 2x8	1.4	3.0
1x16 & 2x16	14.0	15.3	1x16 & 2x16	2.4	3.8
1x32 & 2x32	18.0	19.0	1x32 & 2x32	2.6	5.0

Note: Custom split configurations are available, please contact MaJoR for more information.



T Series Singlemode Wideband Tree Couplers

PART NUMBER ORDERING INFORMATION



Type	Code
SC	T
SC/APC	Q
SC 90° Boot	C
FC	P
FC/APC	U
ST	R
No Conn.	0 (zero)

Code	Size	Configuration
F	Box 100x80x10mm (250um, 900um & 3mm)	1x3 to 1x4
H	Box 140x90x10.7mm (250um, 900um & 3mm)	1x5 to 1x16
G	Box 140x100x18mm (250um, 900um & 3mm)	1x16 to 1x32
L	LGX Compatible (900um, 3mm & Adapters)	1x3 to 1x5
D	LGX Compatible—Double Wide (900um, 3mm & Adapters)	1x6 to 1x8
J	19" Rack Mountable (900um, 3mm & Adapters)	1x3 to 1x16
K	19" Rack Mountable—Double Wide (900um, 3mm & Adapters)	1x3 to 1x32

Note: Length in 1 meter increments

Example: Grade A 1310/1550nm Wideband, 1x8, F Package, 900um fiber style, FC connectors input and outputs, 1 meter lead length input and 2 meter lead length outputs = TA35W0108F912PP

Please contact MaJoR Fiber Optics, Inc. for custom tree couplers