



W Series Singlemode/Multimode Wavelength Division Multiplexers

MaJoR Fiber Optics Wavelength Division Multiplexers (WDM's) provide the ability to enhance power output of the C and L band lasers. MaJoR also offers 980/1550nm Pump WDM's suitable for EDFA laser systems, as well as Multimode 850/1300nm WDM's. All WDM types are offered in a variety of package styles and connector types.

Applications

- LAN, WAN & Metro Networks
- Telecommunication Networks
- Passive Optical Networks
- Test & Measurement Systems
- CATV

MaJoR Fiber Optics,
Inc.

1565 Old Forge Road
Bartlett, IL 60103

Phone: 630/483-2054

Fax: 630/483-2072

E-Mail:

info@majorfiberoptics.com

Web: www.majorfiberoptics.com

- Singlemode or Multimode WDM's in a variety of package types and configurations
- Optical performance 100% factory tested
- SPC, UPC, and APC polish types available for connectorized products
- Low Insertion Loss, Back Reflection and PDL
- Manufactured and tested in accordance with Telcordia GR-CORE 1221 and 1209
- Available in Mux, Demux and Pump configurations
- High temperature performance
- Operating Windows at 1310nm/1550nm, 980/1550nm and 850/1300nm
- Thermal Stability (dB Peak to Peak) < 0.20
- Port Configuration 1x2 and 2x2
- Directivity (dB) ≥ 50 (Singlemode Only)
- Operating Temperature (°C) -40—+85 (-20—+70 for PVC cable)
- Storage Temperature (°C) -55—+85

Insertion Loss and Isolation Specifications (dB)

Type	IL—Typical (dB)	Peak Isolation (dB)
1310/1550nm Std.	0.25	> 20
1310/1550nm High Isolation	1.00	> 40
980/1550nm Pump	0.40	≥16
850/1300nm MM	1.0	16

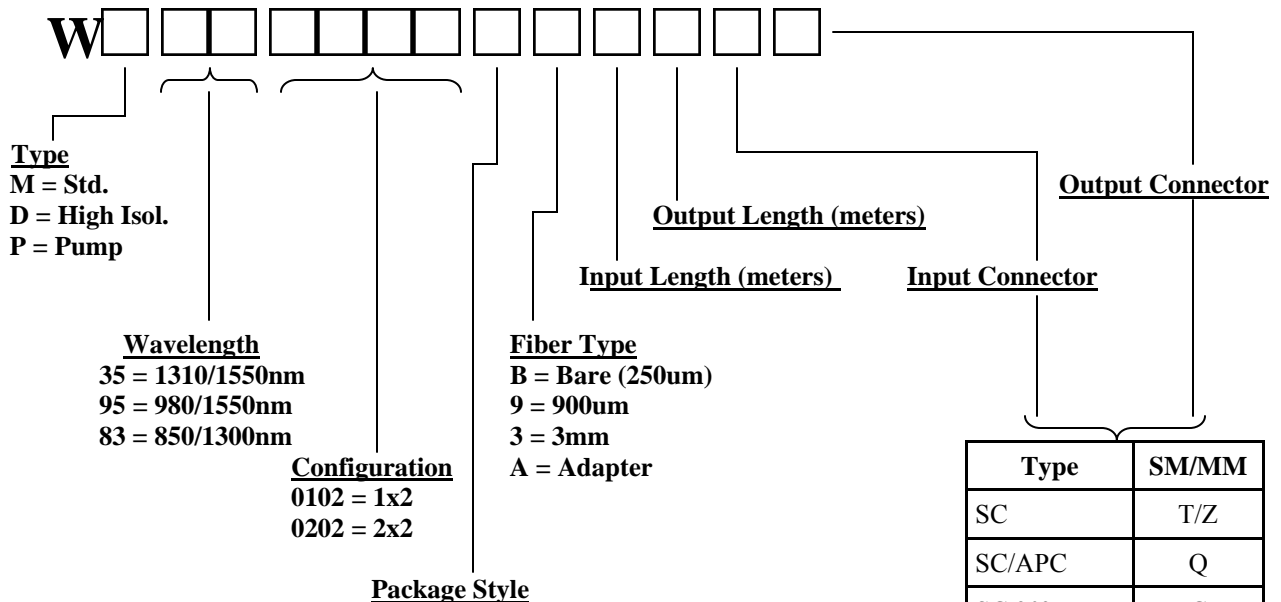
Bandwidth and Polarization Stability Specifications

Type	Bandwidth (nm)	Polarization Stability (dB)
1310/1550nm Std.	±20	< 0.10
1310/1550nm High Isolation	± 40	< 0.20
980/1550nm Pump	±10	< 0.10
850/1300nm MM	± 10	N/A



W Series Singlemode Wavelength Division Multiplexers

PART NUMBER ORDERING INFORMATION



Code	Size/Type
A	Tube 3.0x54mm (250um/bare fiber & 900um)
B	Tube 2.4x42mm (250um/bare fiber)
C	Tube 3.0x70mm (250um/bare fiber & 900um)
E	Box 95x11.8x10mm (250um, 900um, 3mm)
F	Box 100x80x10mm (250um, 900um, 3mm)
L	LGX Compatible (900um, 3mm, adapters)

Type	SM/MM
SC	T/Z
SC/APC	Q
SC 90° Boot	C
FC	P/E
FC/APC	U
ST	R/G
No Conn.	0 (zero)

Note: Length in 1 meter increments

Example: 1310/1550nm Demux 1x2, H Package with Adapters, FC Connectors input, SC Connectors Output =WD350102HA00PT